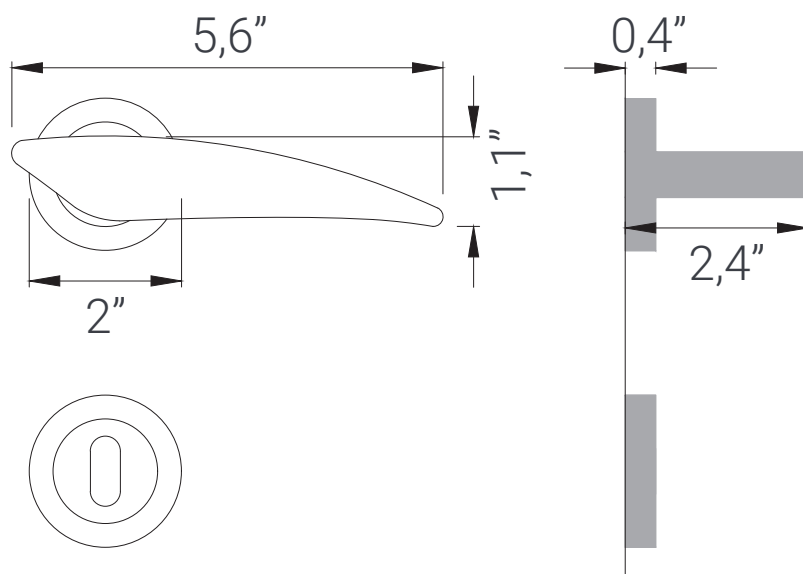


DRAWING

MANIGLI

ALEA

5,6"x2,4"x1,1"



HINTEX

Tel: +1 (844) 404-0440 Email: info@hintex.com

Website: www.hintex.com